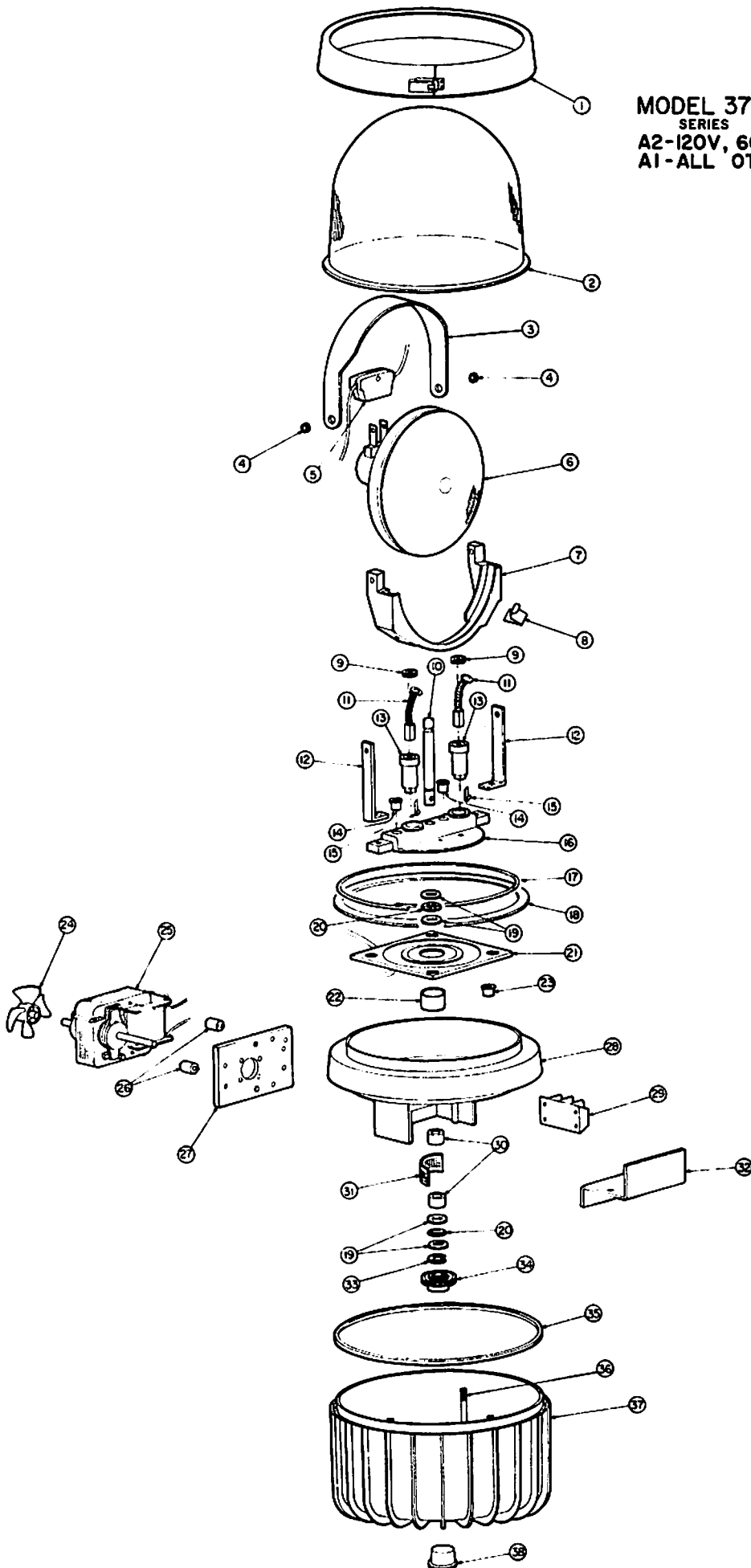


MODEL 371 L
SERIES
A2-120V, 60 Hz
A1-ALL OTHERS



Glass Domes for this model are same as Model 372

Index	Description	Part No.	Qty.
1	Retaining Band Assembly	8449C017-01	1
2	Plastic Dome, Red	8449C005-11	1AR
	Plastic Dome, Amber	8449C005-14	
	Plastic Dome, Clear	8449C005-15	
	Plastic Dome, Blue	8449C005-12	
	Plastic Dome, Magenta	8449C005-16	
3	Lamp Support Assembly	8442B010	1
4	Lamp Support Spacer	8442A011	2
5	Connector	8442B037	1
6	Lamp (120 VAC (all), 250VAC (25Hz), and 125 VDC units only)	8442A039	1AR
	Lamp (12VDC units only) (#4436)	8107A069	
	Lamp (32VDC units only) (150 PAR 46/1)	8442A041	
	Lamp (250VDC units only) (150 PAR 46/3)	8107A073	
7	Lamp Holder	8459C004	1
8	Lower Lamp Spring	8442A012	2
9	Brush Cap	8442A026	2
10	Shaft	8459A005	1
11	Brush and Spring	8442A028	2
12	Lamp Holder Bracket	8459A007	1
13	Brush Holder	8442A025	2
14	Snap Bushing	8459A028	2
15	Brush Holder Clip	8442A027	2
16	Lamp Holder Support	8459C003	1
17	Spacer Ring for Plastic Dome	8449A040	1
18	Dome Gasket for Plastic Dome	8449C006-02	1
19	Thrust Washer	8449A021	4
20	Thrust Retainer	8449A022	2
21	Slip Ring Assembly	8459A012	1
22	Insulator	8459A006	1
23	Snap Bushing	8449A010	1
24	Fan	8459A018	1
25	Motor (120VAC, 60Hz units only)	8459B014	1AR
	Motor (12VDC units only)	8422B111-08	
	Motor (32VDC and 250VDC units only)	8422B111-09	
	Motor (125VDC Series A1 Units Only) Replacement Kit See "Not Shown Listing Below"		
	Motor (75VDC and 125VDC units) Series A2	8422B111-10	
26	Spacer	8459A015	2
27	Motor Adapter Plate	8459A009	1
28	Base Plate (all, except 250VAC and DC units)	8459D002-01	1AR
	Base Plate (250VAC, 25Hz units only)	8459D002-04	
	Base Plate (250VDC units only)	8459D002-01A	
29	Terminal Block (all, except 250 VAC (25 Hz), 125VDC, and 250VDC units)	8442A032	1AR
	Terminal Block (125VDC and 250VDC)	8442A033	
	Terminal Block (250VAC, 25Hz units only)	8459A052	
30	Sleeve Bearing	8240A034-01	2
31	Felt Oil Pad	8449A011	1
32	Gear Box Cover	8459B008-01	1
33	Retaining Ring	8422A010	2
34	Worm Gear Clutch Assembly	8459A017	1
35	Gasket	8449C007	1
36	Stud	8459A019	3
37	Housing	8449D002	1
38	Tapered Plug	8449A016	1
Not Shown	Resistor, 400 Ohm, Adjustable, 12W (120VAC, 25Hz and 250VAC, 25Hz units only)	8459A020	AR
	Resistor, 5 Ohm, 25W (250VAC, 25Hz units only)	8449A045	
	Resistor, 2-160 Ohm, 160W in parallel (250VAC, 25Hz units only)	8442A062	
	Resistor, 15 Ohm, 25W (125VDC, Series A1 units only)	8459A047	
	Resistor, 300 Ohm, 20W (125VDC, Series A2 units only)	8459A082	
	Resistor, 80 Ohm, 50W (250 VDC units only)	8459A062	
	Resistor, 80 Ohm, 25W (250VDC units only)	8459A063	
	Shock Mounting Conversion Kit	8459A079	
	*Motor Replacement Kit (125VDC Series A1 only), includes 8422B111-10 Motor, 8459A082 Resistor and Instruction Sheet	8459A083	
		8459A084	

Shock Mounting Kit

8459A076