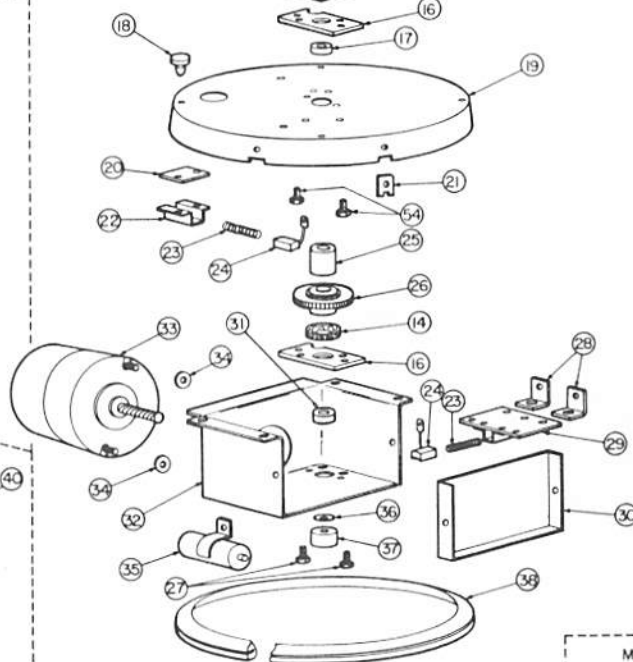
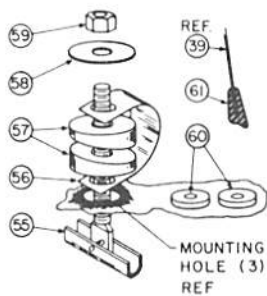
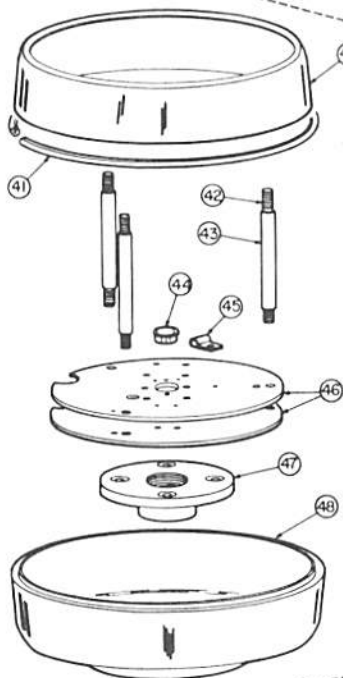


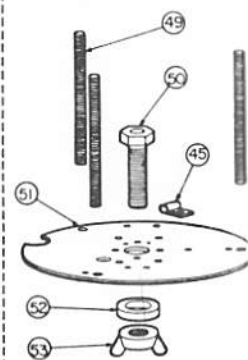
MODEL 175 ONLY



MODEL 175A ONLY



MODEL 175D ONLY



Index No.	Description	Part No.	Qty.
1	Glass Dome, Red	8442C002	1AR
	Glass Dome, Amber	8442C002-01	
	Glass Dome, Clear	8442C002-02	
	Glass Dome, Blue	8442C002-03	
	Lexan Dome, Red	8449C005-11	
	Lexan Dome, Blue	8449C005-12	
	Lexan Dome, Green	8449C005-13	
	Lexan Dome, Amber	8449C005-14	
2	Lexan Dome, Clear	8449C005-15	2AR
	Lamp, 12-volt, Clear (GE4416)	8107A033	
3	Lamp, 12-volt, Red (GE4416R)	8107A042	2AR
	Lamp, 24-volt, Clear (GE4505)	8107A027	
4	Lamp, 24-volt, Red (GE4505R)	8107A060	4
	Lamp Clamp	8240A016	
5	Flat Washer	8240A614	4
6	Auxiliary Bracket	8240A511	1
7	Contact Rod	8240A018	1
8	Insulator Tube	8240A020	1
9	Lamp Holder Assy.	8240B512	1
10	Lamp Bumper	8240A241	8
11	Lamp Bumper	8240A242	4
12	Brush Holder and Lead Assy.	8240A213	1
13	Brush and Spring	8240A050	1
14	Oil Retaining Washer	7072A123	2
15	Collector Ring Assy.	8240A505	1
16	Bearing Holder	8240A009	2
17	Oilite Bearing, Upper	8240A034-01	1
	Bumper, Grommet Type (for Lexan Dome)	8108A016	
18	Bumper, Grommet Type (for Glass Dome)	8108A016-01	4AR
	Base Plate	8240C005	
19	Brush Holder Spacer	8240A030	1
20	Tinnerman Speed Nut	8240A054	7
21	Brush Tube	8240A029	1
22	Brush Spring	8240A032	2
23	Brush Assembly	8240A031	2
24	Upper Slip Ring	8240A014	1
25	Worm Gear and Clutch Assy.	8422A114	1
26	Screw, 6-32 x 1/4 Tapfit	7011A061-04	2
27	Terminal	8240A021	2
28	Brush Holder Assy.	8240A191	1
29	Gear Box Cover	8240B010	1
30	Oilite Bearing, Lower	8240A034-02	1
31	Gear Box	8240C008	1
32	Motor, 12-volt	8240A420-12	1
33	Spacer, Motor	7072A131	2
34	Filter, 24-volt	8226A186	1AR
35	Insulating Washer	7072A124	2
36	Lower Slip Ring	8240A019	1
37	Gasket, Dome	8240A004	1
39	Skirt, 5-inch (standard)	8240C243-02	1AR
	Skirt, 6-1/2-inch	8240C250-01	
	Skirt, 7-1/2-inch	8240C258-01	
	Skirt, 9-inch	8240D134-01	
	Skirt, 11-inch	8240D587-01	
40	Upper Cover, Chrome	8240C247-01	1
41	Gasket	8240A107	1
42	Stud	7009A007-64	3
43	Spacer	8240A104	3
44	Bushing	8240A231	1
45	Wire Clamp	8240A072	1
46	Base Plate	8240B139-02	2
47	Flange	8240A170	1
48	Lower Cover, Chrome	8240C106	1
49	Stud	7009A007-88	3
50	Mounting Stud	8240A137	1
51	Base Plate	8240B139-01	1
52	Rubber Washer	7072A125	1
53	Wing Nut	7064A004	1
54	Screw, 8-32 x 3/8 Tapfit	7011A056-06	2
55	Toggle Bolt 1/4 -20	8240A041	3
56	Ground Strip	8240A023	1
57	Tapered Rubber Washers	8240A022	6
58	Steel Washer	7072A026	3
59	1/4 - 20 Hex Head Nut	7059A018	3
60	Grommets	8108A005	2
61	Gasket (for bottom of skirt after trimming to mounting surface contour).	8240A007-01	1

24-volt motor see Model 174