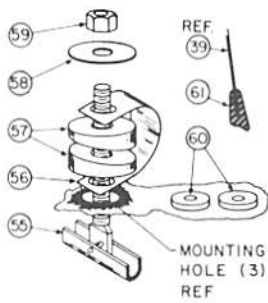
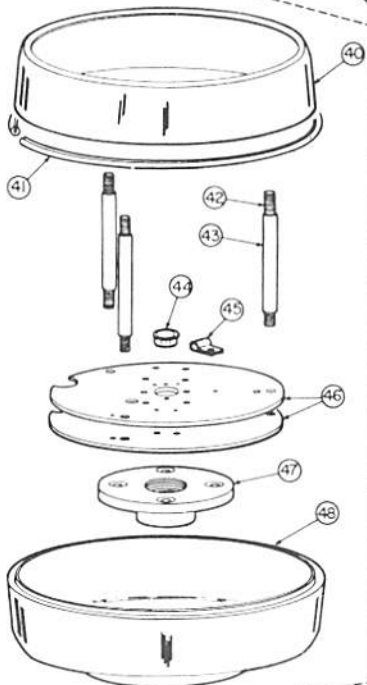


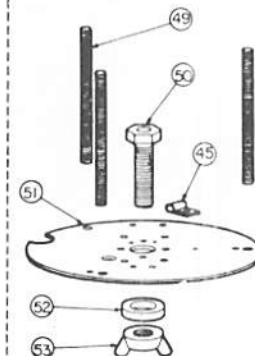
MODEL 173 ONLY



MODEL 173A ONLY



MODEL 173D ONLY



Index No.	Description	Part No.	Qty.
1	Glass Dome, Red	8442C002	1AR
	Glass Dome, Amber	8442C002-01	
	Glass Dome, Clear	8442C002-02	
	Glass Dome, Blue	8442C002-03	
	Plastic Dome, Red	8449C005-11	
	Plastic Dome, Blue	8449C005-12	
	Plastic Dome, Amber	8449C005-14	
	Plastic Dome, Clear	8449C005-15	
	Split Dome, Blue and Clear	8449C048-01	
	Split Dome, Amber and Red	8449C048-02	
	Split Dome, Red and Blue	8449C048-03	
	Split Dome, Amber and Blue	8449C048-04	
	Split Dome, Red and Clear	8449C048-05	
	Split Dome, Amber and Clear	8449C048-06	
2	Lamp, 6-volt, Clear (GE 4516)	8107A032	3AR
	Lamp, 12-volt, Clear (GE 4416)	8107A033	
	Lamp, 12-volt, Red (GE 4416R)	8107A042	
	Lamp, 24-volt, Clear (GE 4505)	8107A027	
4	Clamp, Lamp	8240A016	3
5	Flat Washer	8240A014	3
7	Contact Rod	8240A018	1
8	Insulator Tube	8240A020	1
9	Lamp Holder Assy.	8240B128	1
10	Bumper, Lamp	8240A241	6
11	Bumper, Lamp	8240A242	3
14	Oil Retaining Washer	7072A123	2
16	Bearing Holder	8240A009	2
17	Oilite Bearing, Upper	8240A034-01	1
18	Bumper, Grommet Type (for Plastic Dome)	8108A016	4AR
	Bumper, Grommet Type (for Glass Dome)	8108A016-01	
19	Base Plate	8240C005	1
20	Spacer, Brush Holder	8240A030	1
21	Tinnerman Speed Nut	8240A054	6
22	Tube, Brush	8240A029	1
23	Spring, Brush	8240A032	2
24	Brush Assembly	8240A031	2
25	Slip Ring, Upper	8240A011	1
26	Worm Gear and Clutch Assy.	8422A114	1
27	Screw, 6-32 x 1/4 Taprite	7011A061-04	2
28	Terminal	8240A021	1
29	Brush Holder Assy.	8240A191	1
30	Gear Box Cover	8240B010	1
31	Oilite Bearing, Lower	8240A034-02	1
32	Gear Box	8240C008	1
33	Motor, 6-volt	8240A429-07	1AR
	Motor, 12-volt	8240A420-13	
	Motor, 24-volt	8240A420-25	
34	Spacer, Motor	7072A131	2
35	Filter, 24-volt	8226A186	1AR
36	Insulating Washer	7072A124	2
37	Slip Ring, Lower	8240A019	1
38	Gasket, Dome	8240A004	1
39	Skirt, 5-inch (standard)	8240C243-02	1AR
	Skirt, 6-1/2-inch	8240C250-01	
	Skirt, 7-1/2-inch	8240C258-01	
	Skirt, 9-inch	8240D134-01	
	Skirt, 11-inch	8240D587-01	
40	Upper Cover, Chrome	8240C247-01	1
41	Gasket	8240A107	1
42	Stud	7009A007-64	3
43	Spacer	8240A104	3
44	Bushing	8210A231	1
45	Clamp, Wire	8210A072	1
46	Base Plate	8240B139-02	2
47	Flange	8240A170	1
48	Lower Cover, Chrome	8240C106	1
49	Stud	7009A007-88	3
50	Mounting Stud	8240A137	1
51	Base Plate	8240B139-01	1
52	Washer, Rubber	7072A125	1
53	Wing Nut	7064A004	1
54	Screw, 8-32 x 3/8 Taprite	7011A056-06	2
55	Toggle Bolt 1/4 - 20	8240A041	3
56	Ground Strip	8240A023	1
57	Tapered Rubber Washers	8240A022	6
58	Steel Washer	7072A026	3
59	1/4 - 20 Hex Head Nut	7059A018	3
60	Grommets	8108A005	2
61	Gasket (for bottom of skirt after trimming to mounting surface contour).	8240A007-01	1