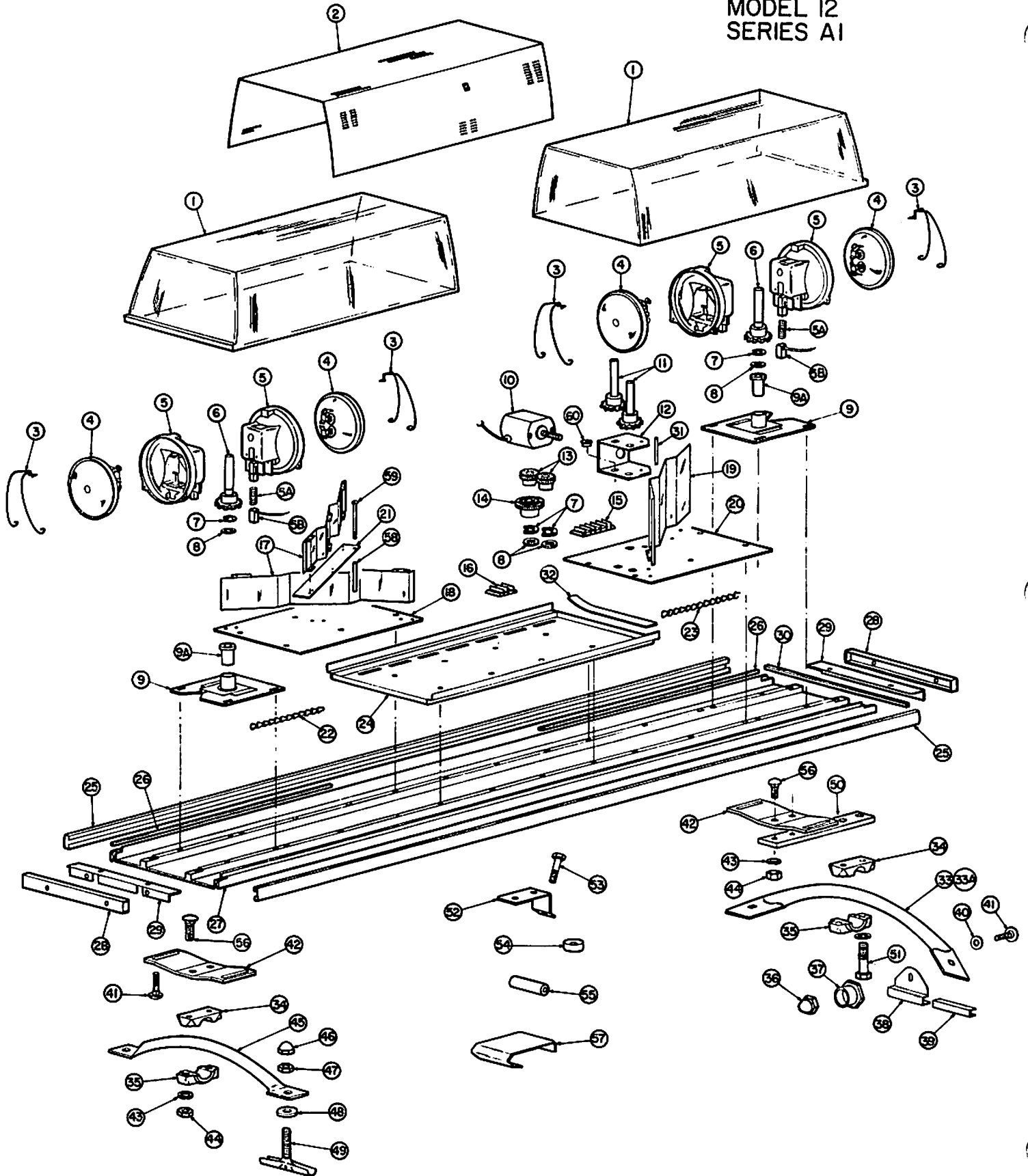


MODEL 12  
SERIES A1



# FEDERAL SIGNAL CORPORATION

TwinSonic® Model 12

OCTOBER 1977

Index No.	Description	Part No.	Qty.
1	Housing, Red Lexan	8470D004-11	2AR
	Housing, Blue Lexan	8470D004-12	
	Housing, Amber Lexan	8470D004-14	
	Housing, Clear Lexan	8470D004-15	
	Housing, Blue With Red Inserts	8470D104-05	
2	Grille	8470D041	1
3	Lamp Clamp Wire	8422B016	4
4	Lamp, 6-Volt Clear (GE#4516)	8107A032	4AR
	Lamp, 12-Volt, 60W Clear (GE#4464)	8107A066	
	Lamp, 12-Volt, 60W Red (GE#4464R)	8107A068	
	Lamp, 12-Volt, 30W Amber (GE#4416A)	8107A059	
	Lamp, 24-Volt, 50W Clear (GE#4505)	8107A027	
	Lamp, 24-Volt, 50W Red (GE#4505R)	8107A060	
	Lamp, 24-Volt, 50W Blue (GE#4505B)	8107A058	
5	Lamp Holder Assy. (Includes items 5A and 5B)	8422B019	4
	5A Spring	8240A032	
5B	Brush	8240A031-01	4
6	Sprocket and Shaft Assembly	8470A117	2
7	Retaining Ring	8422A010	4
8	Flat Washer	7072A139	6
9	Mounting Plate Assy. (Includes item 9A)	8470A031	2
9A	Bearing	8470A030	2
10	Motor, 6-Volt	8422B111-04	1AR
	Motor, 12-Volt	8422B111-05	
	Motor, 24-Volt	8422B111-06	
11	Drive Shaft and Sprocket	8470A116	2
12	Motor Bracket Assy.	8470C011	1
13	Spur Gear	8470A010	2
14	Worm Gear Clutch Assy.	8422A114	1
15	Terminal Block (4-terminal)	8442A034	1
16	Terminal Block (2-terminal)	8442A032	1
17	Mirror and Bracket Assy. (Dual Direction Flashing)	8470B137	4AR
18	Cover Plate, Mirror (Right Side)	8470C026	1
19	Mirror Assembly, Front Flashing (Left Side-Shown)	8470B022	1AR
	Mirror Assembly, Front Flashing (Right Side-Not Shown)	8470B023	
20	Cover Plate, Mirror and Motor (Left Side)	8470C027	1
21	Support, Mirror (Dual Direction Flashing)	8470B139	2AR
22	Chain	8470A044	1
23	Chain	8470A043	1
24	Speaker Mounting Plate Assy.	8470C037	1
25	Moulding	8470B006	2
26	Gasket (Mounting Base)	8470A134	4
27	Mounting Base	8470D007	1
28	End Cap	8470B019	2
29	End Plate Assy.	8470A068	2
30	Gasket (End Plate)	8470A040	2
31	Motor Bracket Spacer	8470A017	1
32	Gasket	8470A146	2
33	Gutter Mounting Bracket (Clamp-on)	8422D048	2AR
33A	Gutter Mounting Bracket, Ill-Bar	8422D048-01	2AR
34	Mounting Bracket Clamp (upper)	8422C060-02	2
35	Mounting Bracket Clamp (lower)	8422C060-01	2
36	Cap Nut	7054A003	4AR

Index No.	Description	Part No.	Qty.
37	Cam	8422A051-01	4AR
38	Gutter Hook	8422A050	4AR
39	Rubber Channel	8422A086	4AR
40	Flat Washer	7072A141	4AR
41	Carriage Bolt (4 used on Gutter mount, 4 secure item 42 to item 27)	8422A189	8AR
42	Adapter Plate	8470B032	2
43	3/8 Split Lockwasher	7074A023	4AR
44	3/8-16 Hex. Nut	7057A032	4AR
45	Permanent Mounting Bracket (Bolt-on)	8422C049	2AR
46	Cap Nut	8422A057	4AR
47	Jam Nut	7057A049	4AR
48	Rubber Mounting Pad	8422A087	4AR
49	Toggle Bolt	8422A032	4AR
50	Extension Bar	8422A194	2AR
51	3/8-16 x 2" Hex. Head Bolt	7000A312-32	4AR
52	Adapter Bracket	8422A245	2AR
53	5/16-18 x 1-3/8" Hex. Head Bolt	7000A319-022	2AR
54	Bumper	8422A249	4AR
55	Rubber Spacer	8422A307	2AR
56	Carriage Bolt	7004A004-32	4
57	Hook Assy. (Ford)	8422A285	2AR
58	Spacer, Mirror	8470A141	2AR
59	Screw, 8-32 x 3" long	7000A061-48	2AR
60	Bearing	8422A011	4
Not Shown	Switch (Chrome) 25 amp	8470A094	1
Not Shown	Hole Plug (large)	8422A063	1
Not Shown	Hole Plug (small)	8470A047	12
	Dome Gasket Conversion Kit. Includes items 26 and 32.	8470A147	
	Hook Assy. Bracket New Style Ford	8422A285-01	
	15 amp switch (ivory)	8240A033	
	Mtg. Kit for SLTK* w/o grill	8540A073A	
	Grill for twin with visabeam	8470D041-04	

DO NOT ORDER PARTS BY INDEX NUMBER. Give model, voltage, description and part number.

Refer to PARTS PRICE LIST (Part No. 1001) for prices of parts.

Federal Signal Corporation  
Signal Division  
136th and Western Avenue  
Blue Island, Illinois 60406